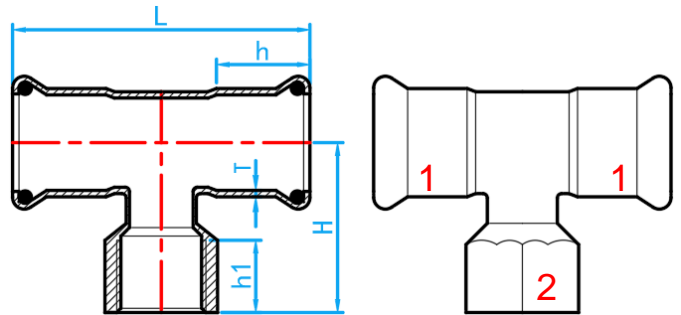


STAINLESS STEEL 304 PRESS FIT FITTINGS (M PROFILE)

COMPLY WITH BSEN1254-2: 1998
AS 3688: 2005
AS/NZS 4020: 2005
SS 375: 2015
SS 270: 2015



FI TEE



CROSS SECTIONAL VIEW

DIMENSIONS

SKU	SIZE (mm x mm x inch)	L (mm)	H (mm)	h (mm)	h1 (mm)	T (mm)	WEIGHT (kg)	PCS/CTN
SSPFNFIT01515	15×15×1/2" BSP	63	36	20	15.5	1.5	0.072	150
SSPFNFIT02015	22×22×1/2" BSP	74	41	21	15.5	1.5	0.104	140
SSPFNFIT02020	22×22×3/4" BSP	74	35	21	16.0	1.5	0.124	120
SSPFNFIT02515	28×28×1/2" BSP	87	43	23	15.5	1.5	0.134	80
SSPFNFIT02520	28×28×3/4" BSP	87	47	23	16.0	1.5	0.150	60
SSPFNFIT02525	28×28×1" BSP	87	46	23	20.0	1.5	0.180	60
SSPFNFIT03506	35×35×1/4" BSP	100	42	26	15.5	1.5	0.180	60
SSPFNFIT03515	35×35×1/2" BSP	100	42	26	15.5	1.5	0.185	60
SSPFNFIT03520	35×35×3/4" BSP	100	54	26	16.0	1.5	0.191	60
SSPFNFIT03525	35×35×1" BSP	100	50.5	26	20.0	1.5	0.250	60
SSPFNFIT03535	35×35×1 1/4" BSP	100	51.5	26	21.0	1.5	0.240	40
SSPFNFIT04215	42×42×1/2" BSP	118	47	31	15.5	1.5	0.325	60
SSPFNFIT04220	42×42×3/4" BSP	118	47	31	16.0	1.5	0.252	48
SSPFNFIT04225	42×42×1" BSP	118	47	31	20.0	1.5	0.275	50
SSPFNFIT04235	42×42×1 1/4" BSP	118	55	31	21.0	1.5	0.370	50
SSPFNFIT04242	42×42×1 1/2" BSP	118	59	31	25.0	1.5	0.425	52
SSPFNFIT05015	54×54×1/2" BSP	142	50	36	15.5	1.5	0.340	40
SSPFNFIT05020	54×54×3/4" BSP	142	53	36	16.0	1.5	0.357	34
SSPFNFIT05025	54×54×1" BSP	142	52	36	20.0	1.5	0.357	32
SSPFNFIT05035	54×54×1 1/4" BSP	142	62	36	21.0	1.5	0.430	30
SSPFNFIT05042	54×54×1 1/2" BSP	142	64	36	21.0	1.5	0.508	30
SSPFNFIT05050	54×54×2" BSP	142	70	36	25.0	1.5	0.515	32
SSPFNFIT06515	67×67×1/2" BSP	195	58	50	15.5	2.0	0.675	18
SSPFNFIT06520	67×67×3/4" BSP	195	58	50	16.0	2.0	0.710	15
SSPFNFIT06525	67×67×1" BSP	195	58	50	20.0	2.0	0.720	15
SSPFNFIT06535	67×67×1 1/4" BSP	195	58	50	21.0	2.0	0.765	15
SSPFNFIT06542	67×67×1 1/2" BSP	195	58	50	25.0	2.0	0.800	15
SSPFNFIT06550	67×67×2" BSP	195	58	50	25.0	2.0	0.820	15
SSPFNFIT08015	76×76×1/2" BSP	215	62	50	15.5	2.0	0.873	12
SSPFNFIT08020	76×76×3/4" BSP	215	62	50	16.0	2.0	0.970	12
SSPFNFIT08025	76×76×1" BSP	215	62	50	20.0	2.0	0.990	12
SSPFNFIT10050	108×108×2" BSP	305	101	80	30.0	2.0	2.050	3